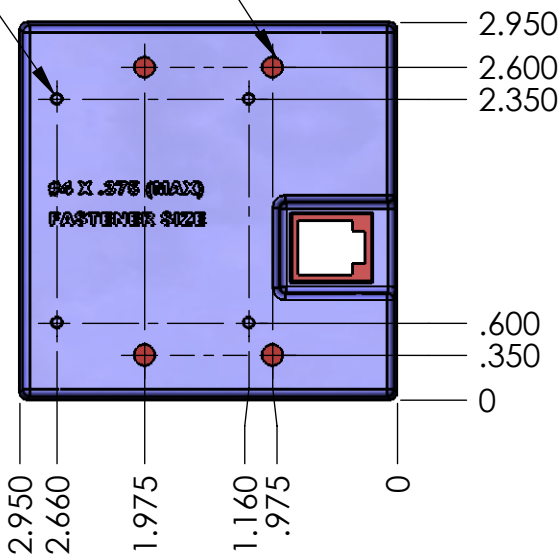
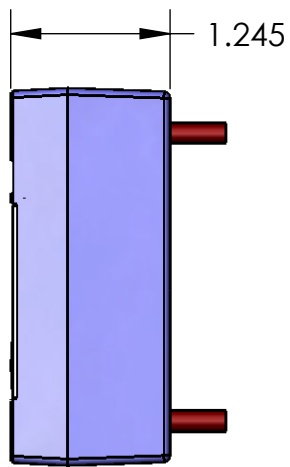
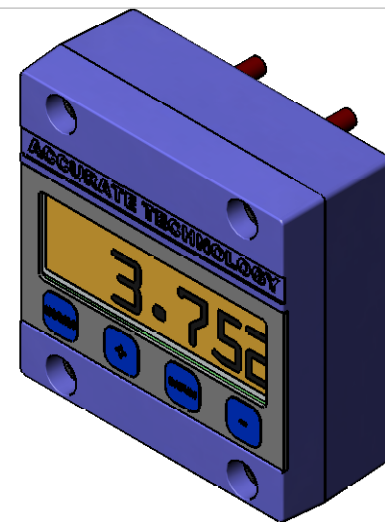


#4 fasteners
from rear of
mounting panel
-----OR----->

#8 fasteners
from inside
of case



PROPRIETARY AND CONFIDENTIAL
THE INFORMATION CONTAINED IN THIS DRAWING IS THE SOLE PROPERTY OF ACCURATE TECHNOLOGY, INC. ANY REPRODUCTION IN PART OR AS A WHOLE WITHOUT THE WRITTEN PERMISSION OF ACCURATE TECHNOLOGY IS PROHIBITED.

UNLESS OTHERWISE SPECIFIED:	NAME	DATE
DIMENSIONS ARE IN INCHES	MF	10/25/2006
TOLERANCES:		
ANGULAR: MACH ±1 BEND ±2		
ONE PLACE DECIMAL ±0.050		
TWO PLACE DECIMAL ±0.020		
THREE PLACE DECIMAL ±0.005		
INTERPRET GEOMETRIC TOLERANCING PER:	Q.A.	
MATERIAL	COMMENTS:	
-enter material-		
FINISH		
-enter finish-		
DO NOT SCALE DRAWING		

ACCURATE TECHNOLOGY INC		
TITLE:		
COMPACT DRO		
SIZE	DWG. NO.	REV
A	COMPACT DRO - for flush mount	A
SCALE: 1:1.5WEIGHT:		SHEET 1 OF 1