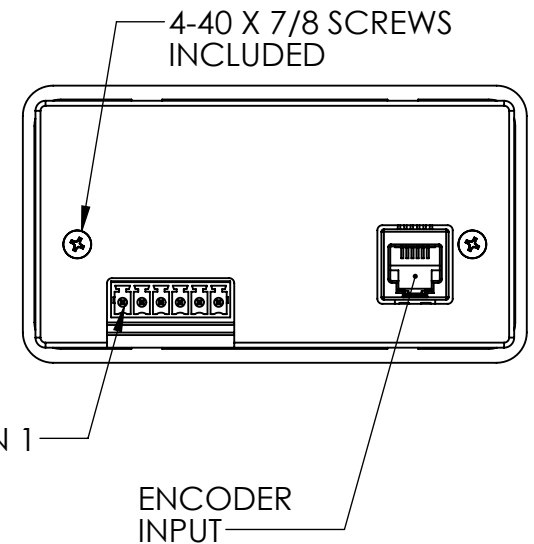
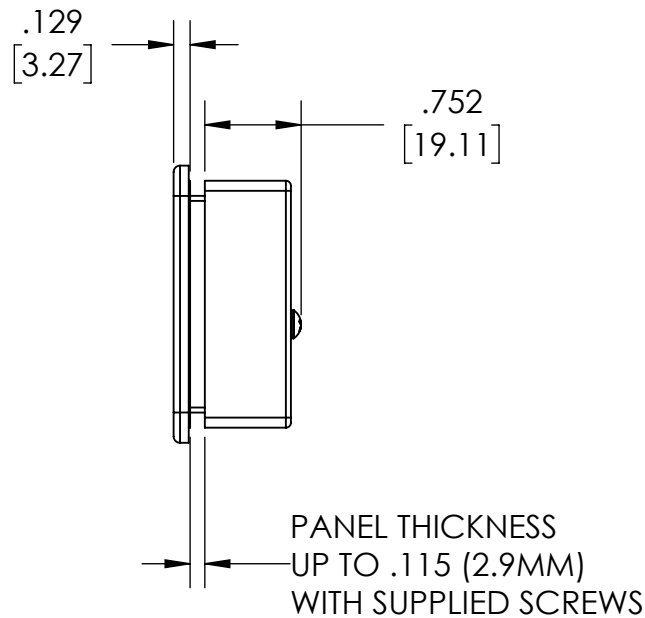


BEZEL CAN BE REMOVED IF NEEDED



PROPRIETARY AND CONFIDENTIAL
 THE INFORMATION CONTAINED IN THIS DRAWING IS THE SOLE PROPERTY OF ACCURATE TECHNOLOGY, INC. ANY REPRODUCTION IN PART OR AS A WHOLE WITHOUT THE WRITTEN PERMISSION OF ACCURATE TECHNOLOGY IS PROHIBITED.

UNLESS OTHERWISE SPECIFIED:		NAME	DATE	ACCURATE TECHNOLOGY INC
DIMENSIONS ARE IN INCHES		DRAWN	MF	
TOLERANCES:		CHECKED		TITLE:
ANGULAR: MACH ±1 BEND ±2		ENG APPR.		700-1600-091
ONE PLACE DECIMAL ±0.050		MFG APPR.		
TWO PLACE DECIMAL ±0.020		Q.A.		
THREE PLACE DECIMAL ±0.005		COMMENTS:		
INTERPRET GEOMETRIC TOLERANCING PER:				SIZE DWG. NO. REV
MATERIAL ASST FINISH				A 700-1600-091 A
DO NOT SCALE DRAWING				SCALE: 2:3 WEIGHT: SHEET 1 OF 1