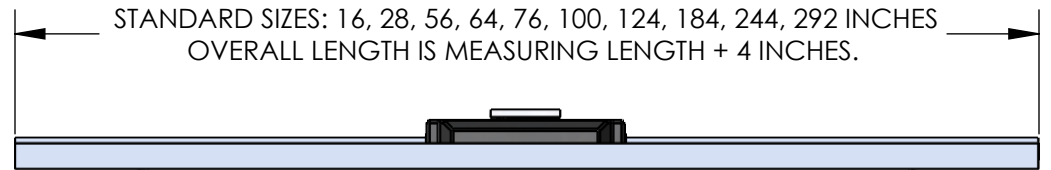
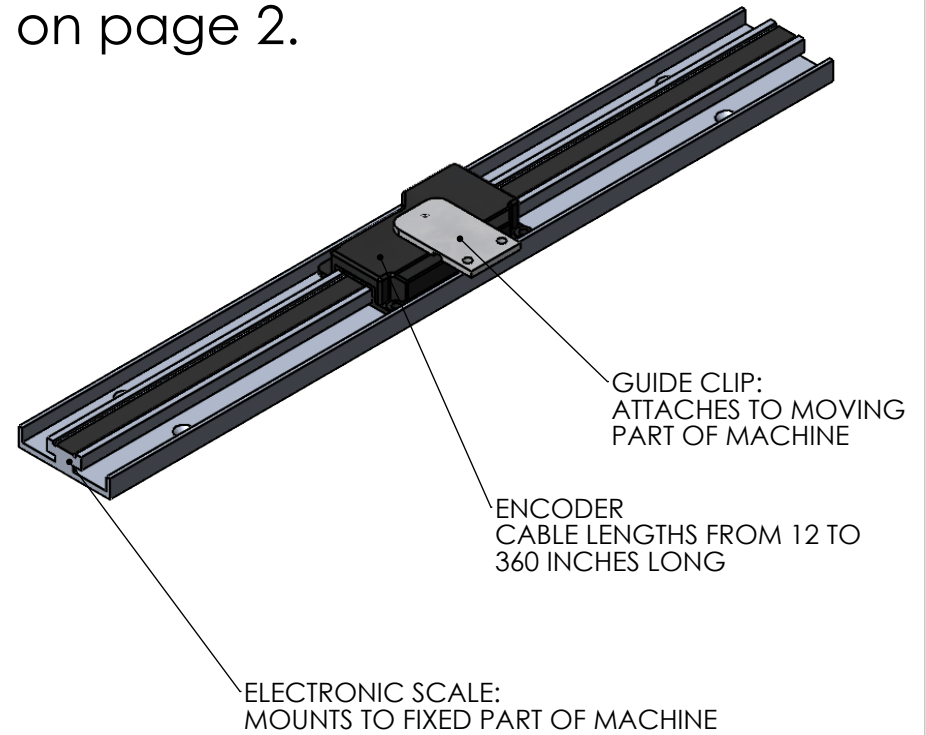
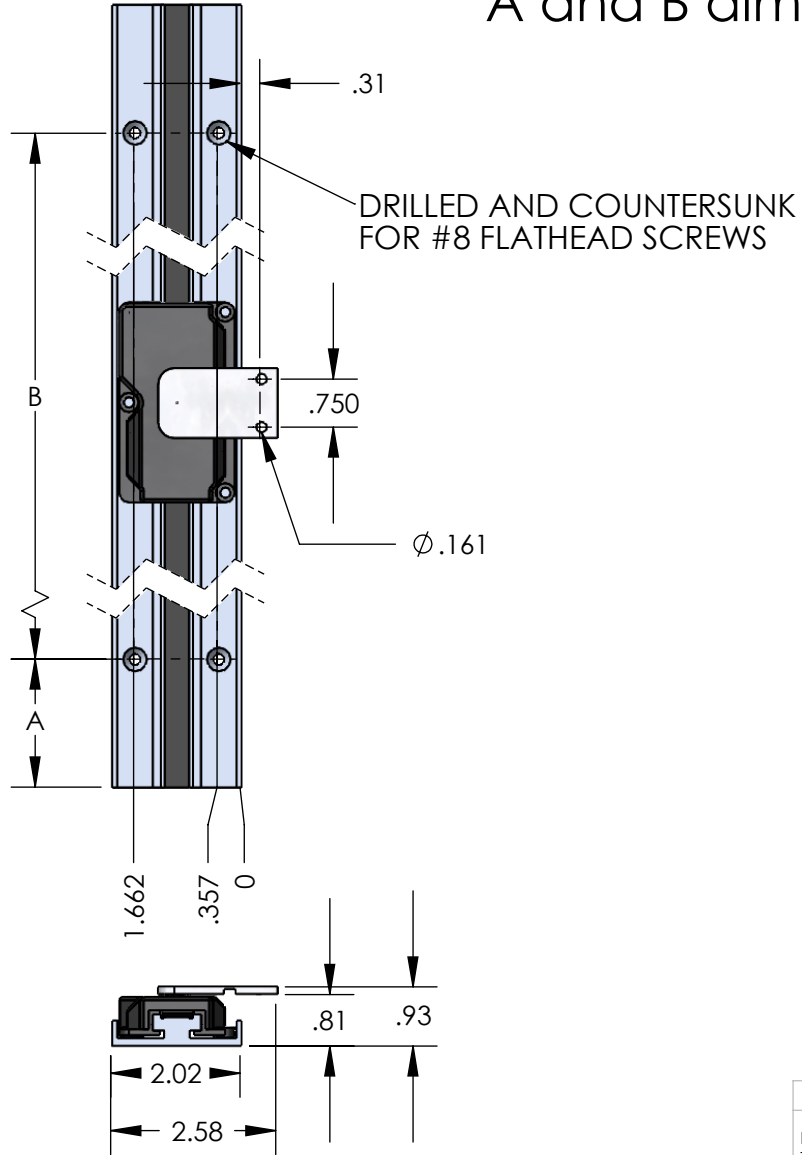


A and B dimensions on page 2.



\*Encoders are stocked with: 12, 24, 72, 120, 240, 360 inch cables. The Model 290 is supplied with a 120 inch cable if no specification is made.

**PROPRIETARY AND CONFIDENTIAL**  
THE INFORMATION CONTAINED IN THIS DRAWING IS THE SOLE PROPERTY OF ACCURATE TECHNOLOGY, INC. ANY REPRODUCTION IN PART OR AS A WHOLE WITHOUT THE WRITTEN PERMISSION OF ACCURATE TECHNOLOGY IS PROHIBITED.

UNLESS OTHERWISE SPECIFIED:		NAME	DATE	ACCURATE TECHNOLOGY INC	
DIMENSIONS ARE IN INCHES		DRAWN	MF	1/2/2022	TITLE:  ProScale Model 290
TOLERANCES:		CHECKED			
ANGULAR: MACH $\pm 1$ BEND $\pm 2$		ENG APPR.			
ONE PLACE DECIMAL $\pm 0.050$		MFG APPR.			
TWO PLACE DECIMAL $\pm 0.020$		Q.A.			SIZE DWG. NO.
THREE PLACE DECIMAL $\pm 0.005$		COMMENTS:			<b>A</b> Installation Dimensions
INTERPRET GEOMETRIC TOLERANCING PER:					REV <b>C</b>
MATERIAL					SCALE: 1:3
FINISH					WEIGHT:
DO NOT SCALE DRAWING					SHEET 1 OF 2

## HOLE TABLE FOR MODEL 290

Dimensions subject to change  
Dimensions are +/- 0.020 tolerance.

MODEL	PHYSICAL LENGTH	MEASURING LENGTH	DIMENSION A	DIMENSION B	TOTAL HOLES
290-1	16 inches	12 inches	2 inches	12 inches	4
290-2	28 inches	24 inches	2 inches	24 inches	4
290-4	56 inches	52 inches	4 inches	12 inches	10
290-5	64 inches	60 inches	2 inches	12 inches	12
290-6	76 inches	72 inches	2 inches	24 inches	8
290-8	100 inches	96 inches	2 inches	24 inches	10
290-10	124 inches	120 inches	2 inches	24 inches	12
290-12	148 inches	144 inches	2 inches	24 inches	14
290-15	184 inches	180 inches	8 inches	24 inches	16
290-20	244 inches	240 inches	2 inches	24 inches	22
290-24	292 inches	288 inches	2 inches	24 inches	24

### NOTES:

1. Custom hole patterns are usually no extra charge; must be specified when order is placed.
2. Not all holes must be used when installing electronic scale.