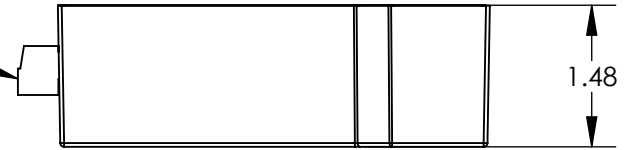
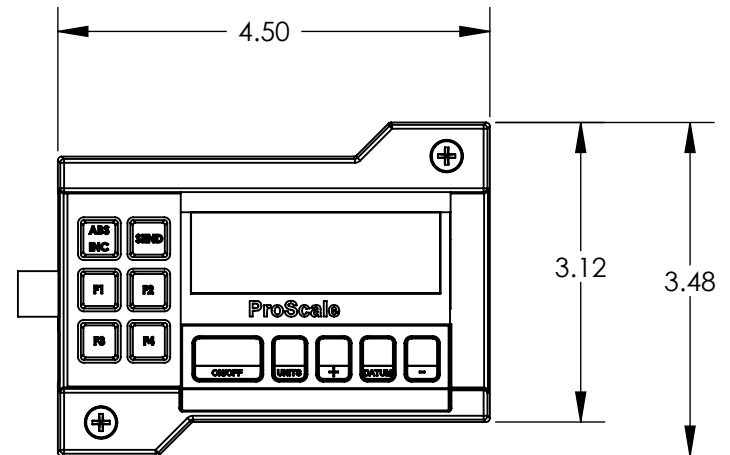
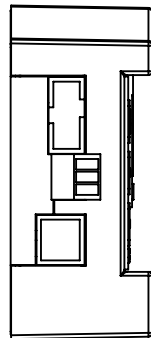
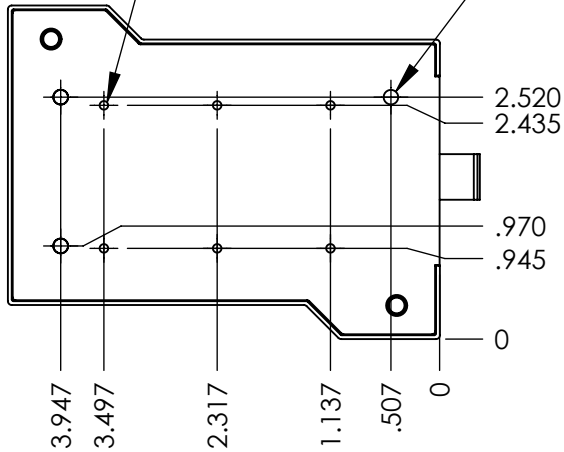


EXTERNAL POWER AND I/O CONNECTOR IS AN OPTIONAL ADD-ON



6X HOLES FOR 4-40 X 0.25 (OR M3 X 6) SELF TAPPING SCREWS

3X HOLES CAN BE USED FOR MOUNTING READOUT FROM INSIDE OF HOUSING, #8 (OR M4) SCREWS



UNLESS OTHERWISE SPECIFIED:

DIMENSIONS ARE IN INCHES
TOLERANCES:
ANGULAR: MACH ±1 BEND ±2
ONE PLACE DECIMAL ±0.050
TWO PLACE DECIMAL ±0.020
THREE PLACE DECIMAL ±0.005

INTERPRET GEOMETRIC TOLERANCING PER:

MATERIAL ASST.
FINISH ASST.

DO NOT SCALE DRAWING

NAME	DATE
MF	9/5/2006

DRAWN	CHECKED	ENG APPR.	MFG APPR.

Q.A.
COMMENTS:

ACCURATE TECHNOLOGY INC

TITLE:

GENERAL PURPOSE READOUT

SIZE	DWG. NO.	REV
A	700-1600-235	A

SCALE: 1:2	WEIGHT:	SHEET 1 OF 1
------------	---------	--------------

PROPRIETARY AND CONFIDENTIAL
THE INFORMATION CONTAINED IN THIS DRAWING IS THE SOLE PROPERTY OF ACCURATE TECHNOLOGY, INC. ANY REPRODUCTION IN PART OR AS A WHOLE WITHOUT THE WRITTEN PERMISSION OF ACCURATE TECHNOLOGY IS PROHIBITED.