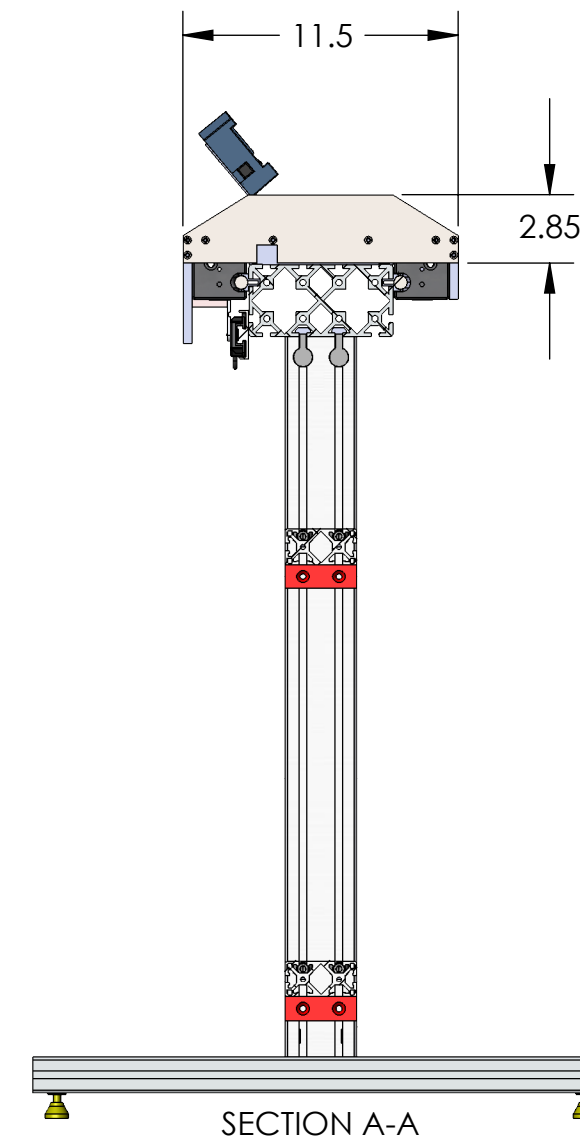
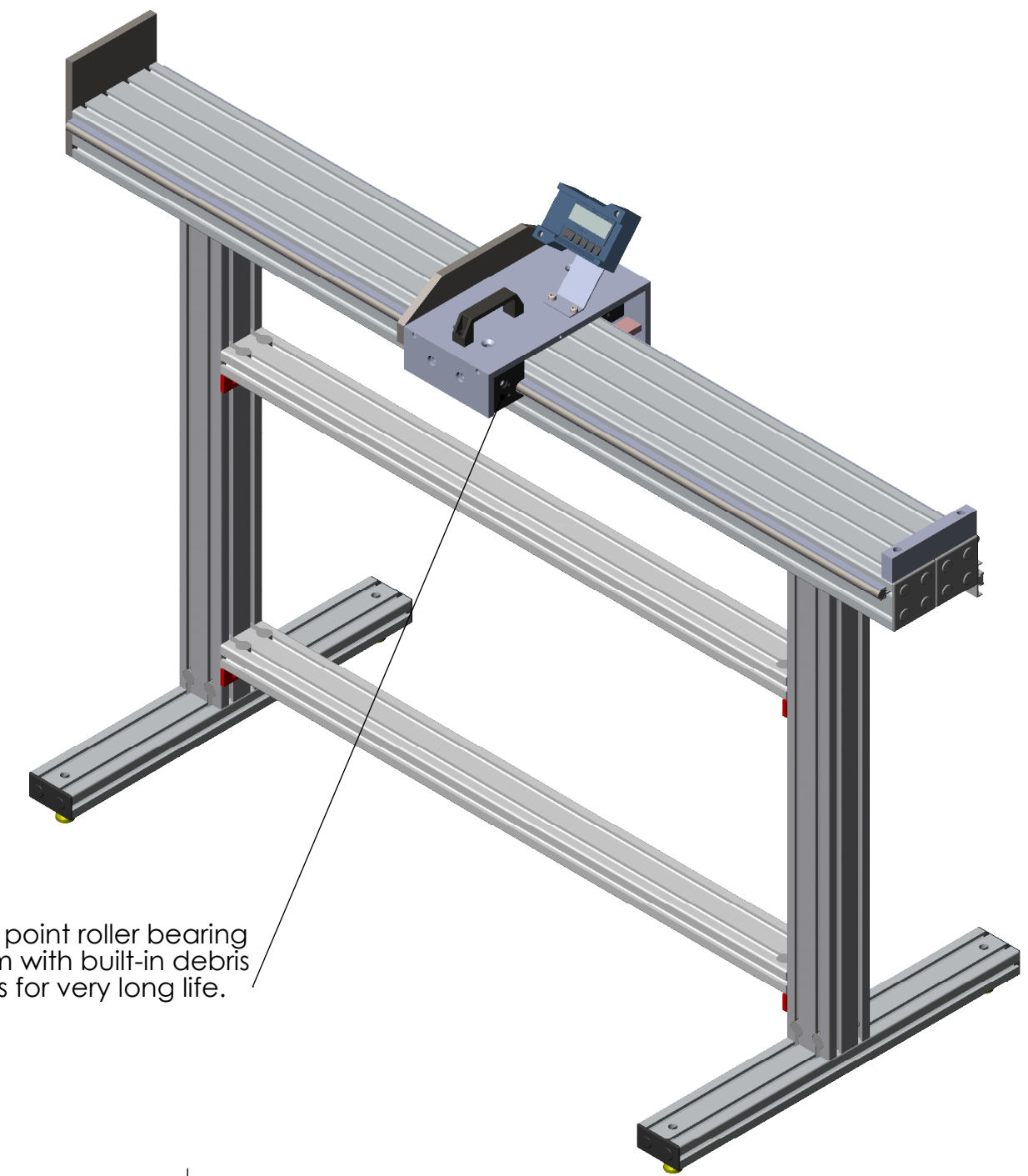
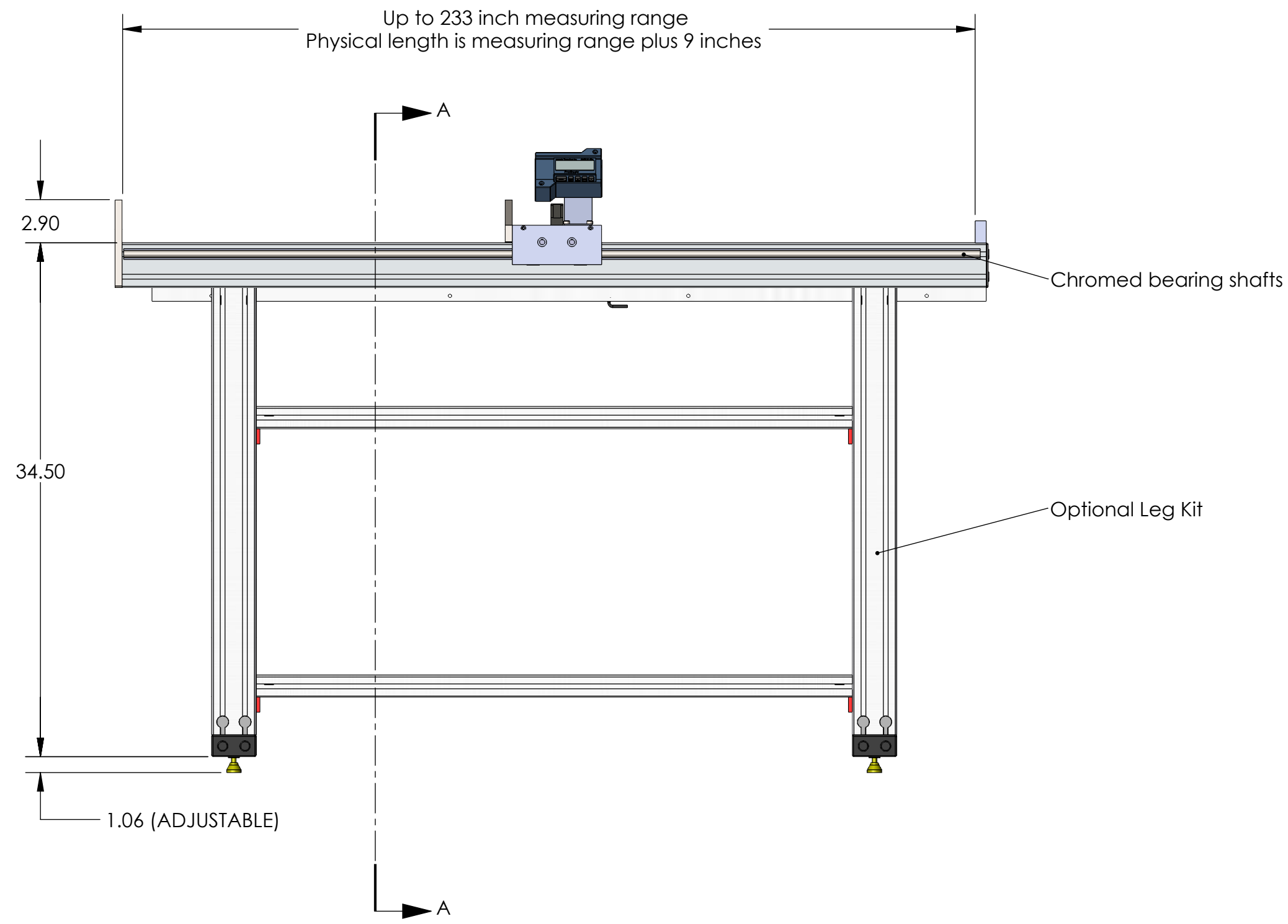


Standard Jaws are 1/2" ground A2 steel  
(Hardened & Ground Steel Jaws are optional)



PROPRIETARY AND CONFIDENTIAL  
THE INFORMATION CONTAINED IN THIS  
DRAWING IS THE SOLE PROPERTY OF  
ACCURATE TECHNOLOGY, INC. ANY  
REPRODUCTION IN PART OR AS A WHOLE  
WITHOUT THE WRITTEN PERMISSION OF  
ACCURATE TECHNOLOGY, INC. IS  
PROHIBITED.

UNLESS OTHERWISE SPECIFIED:	NAME	DATE	ACCURATE TECHNOLOGY INC.	
DIMENSIONS ARE IN INCHES	DRAWN	MF	4-26-19	TITLE:
TOLERANCES:	CHECKED			
ANGULAR: MACH ±1 BEND ±2	ENG APPR.			
ONE PLACE DECIMAL ±0.050	MFG APPR.			
TWO PLACE DECIMAL ±0.020	Q.A.			SIZE DWG. NO. REV
THREE PLACE DECIMAL ±0.005	COMMENTS:			<b>C</b> ProTable-SA with Leg Kit <b>A</b>
INTERPRET GEOMETRIC TOLERANCING PER:				SCALE: 1:8 WEIGHT: SHEET 1 OF 1
MATERIAL				
FINISH				
DO NOT SCALE DRAWING				