

Biesemeyer Fence Kit Installation Instructions:

Please note this installation kit is designed solely for installation on a Biesemeyer Commercial Fence. Accurate Technology manufactures kits for other saw fences in which some or all of the components may be different. For more information about these kits please contact Accurate Technology.

SAFETY WARNING

To avoid injury: Before installing ProScale on a machine, turn off the machine and disconnect it from its power source.

Warranty

Accurate Technology, Inc., warrants this product against defective parts and workmanship, commencing from the date of original purchase. Upon notification of a defect, Accurate Technology, Inc. shall have the option to repair or replace any defective part. Such services shall be the customer's sole and exclusive remedy. Expenses incidental to repair, maintenance, or replacement under warranty, including those for labor and material, shall be borne by Accurate Technology, Inc.

Except as expressly provided in this warranty, Accurate Technology, Inc., does not make any warranties with respect to the product, either expressed or implied, including implied warranties of merchantability or fitness for a particular purpose, except as expressly provided in this agreement.

Accurate Technology, Inc., shall not be liable for any special, incidental, or consequential damages or for loss, damage or expense directly or indirectly arising from the customer's use of or inability to use the equipment either separately or in combination with other equipment, or for personal injury or loss or destruction of other property, or from any other cause.

Tools Required

- Set of small clamps
- Drill
- Center punch
- Drill and tap for 8-32 screws (both included)
- Tap handle
- Phillips screw driver
- Adjustable wrench

Please note that some of the parts for this installation kit may have been pre-assembled for your convenience by Accurate Technology.

Additional photos of this installation are available at www.digi-kit.com or by request.

**READ THROUGH ALL INSTRUCTIONS BEFORE
BEGINNING INSTALLATION**

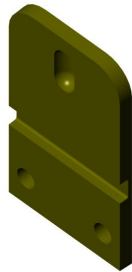
Digital Scale:



Readhead:



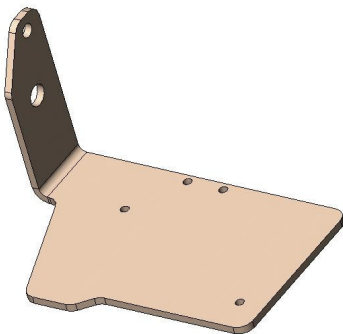
Guide Clip:



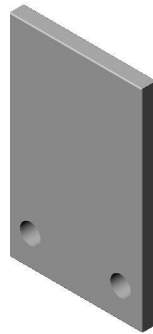
Digital Display:



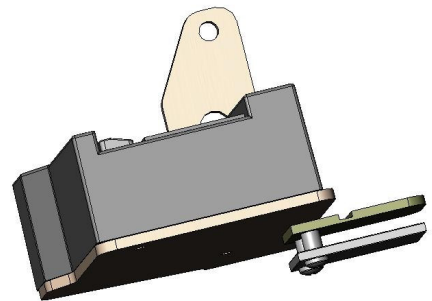
Display Bracket:



Clip Protector:



Display Bracket Assembly:



***Please note:
Some assembly may have been completed at the factory.
Parts may be slightly different than those shown.***

Installing the Display Bracket:

1. Remove the two lock nuts that hold the locking lever to the fence. Place the display bracket flush with the side of the fence, aligning the holes in the two parts.
2. Reinstall the two lock nuts. Tighten the nuts until the display bracket is flush with the side of the fence. Do not over tighten.

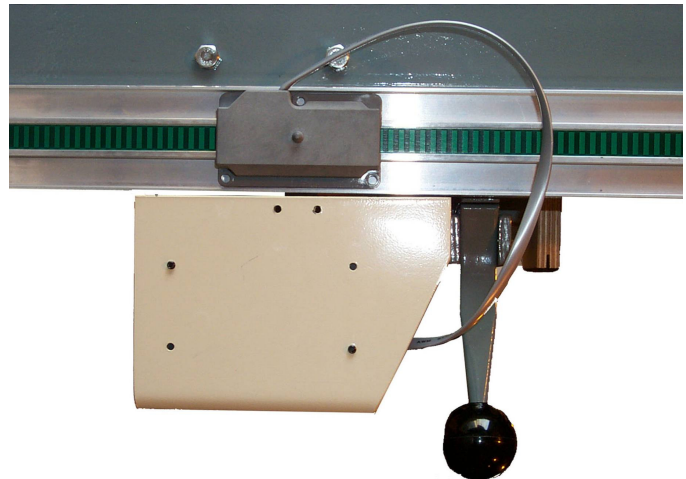


Installing the Display:

1. Remove the two screws on the front of the display housing and set them aside.
2. Pull the cover off the base.
3. Drill out the upper left and lower right hole locations (they are partially drilled already).
4. Attach the display base to the Display Bracket using the flathead screws provided. Replace the display cover and tighten screws.

Mounting the Scale:

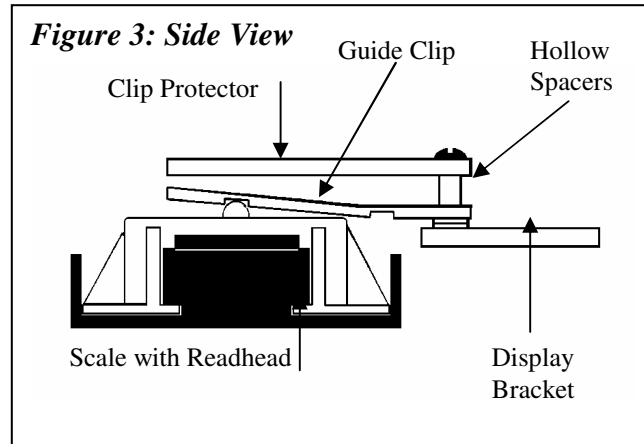
1. Place the scale on the underside of the fence tube so the right end of the scale is flush with the right side of the tube and the edge rests against the inside edge of the angle iron (as shown).
2. Use a center punch to mark locations for screw holes on the underside of the fence tube.
3. Drill and tap holes in the fence tube (using the supplied drill and tap) at the marked locations. Be sure the holes go completely through the metal. Remove any burrs.
4. Attach the scale using the supplied flathead screws. Be sure the screw heads are flush with (or below) the surface of the scale.
5. Note the readhead's sensitive internal grounding fingers. Carefully slide the readhead onto the scale. Use special care not to damage any of the sensitive electronic components inside the readhead.



Guide Clip Installation:

(Use Figure 3 as a reference.)

1. Mount the clip protector, spacers, and guide clip using the provided screws to the display bracket as shown. Be sure the knob on the readhead and the slot on the guide clip face each other.
2. Use the included washers to adjust the pressure of the guide clip on the readhead. Check that the spacing allows for a secure fit without placing undue pressure on the readhead. (Excessive pressure on the readhead can cause premature wear or failure.)
3. Connect the readhead to the display.
4. Move the fence in both directions, checking for binding. Adjust the fence or guide clip spacing as needed.
5. Verify the display reads larger numbers when moved from left to right. If it does not, consult the included Operation Manual to reverse the reading direction.



Calibration:

(Use the Operation Manual as a reference if needed.)

1. With the fence locked in position near the saw blade, cut a small square board.
2. Measure this board with the most precise measuring tool available and write down the measurement.
3. Press the ZERO key on the display.
4. Use the PLUS key to enter the measured value into the display.
5. Press and hold the ON/OFF button. Quickly press and release the MODE button. Release the ON/OFF button. The keyboard is now locked. It can be unlocked by repeating this procedure.
6. The display should be re-calibrated when the saw blade is changed (kerf allowance) or when the batteries in the display are changed.

Removing the Fence from the Saw:

1. Disconnect the cable from the display.
2. Disengage the readhead from the guide clip.
3. Slide the readhead to the left.
4. Slide the fence to the right and remove from the table.
5. Fasten the loose end of the cable to prevent any possible damage.
6. When re-installing the fence, be sure the readhead is engaged by the guide clip. Re-calibration will be necessary.

Troubleshooting:

The reading is accurate close to the saw blade, but not accurate at larger distances:

- ❑ Check the alignment of the saw fence. The alignment *will* affect the measurements at larger distances.
- ❑ Also be sure to check the mounting of all components. Any loose bolts can allow for “slop” measurements.

The display resets itself while saw is running and the fence is locked:

- ❑ The display has been accidentally reset. Large voltage spikes from nearby motors, inverters, or dust collection systems can cause this. Be sure that all devices are properly grounded.
- ❑ Also, extreme vibration can cause this. Mount the display in a vibration-free location.
- ❑ Be sure the ABS/INC key (if equipped) has not been accidentally pressed. If so, press and hold for 3 seconds to return to ABS reading.

The display resets itself while the saw is *not* running and the fence is locked:

- ❑ Be sure the ABS/INC key (if equipped) has not been accidentally pushed. If so, press and hold for 3 seconds to return to ABS reading.
- ❑ Be sure the ZERO key has not been accidentally pushed. If so, you will need to recalibrate the saw fence. Be sure to LOCK the value into the display.

The display reads ERR 2 or “No Enc”:

- ❑ Make sure the connector is fully inserted into the display. Also, be sure the readhead is on the scale. To clear the error, simply unplug the readhead for one second and re-insert the connector to the display. You will need to recalibrate.
- ❑ The fence has been moved too quickly. To clear the error, simply unplug the readhead for one second and re-insert the connector to the display. You will need to recalibrate.

The display reads **B, BAT, or displays a battery symbol:**

- ❑ Your batteries need to be changed. The display uses two standard AA **alkaline** cells. To change the batteries, unscrew the top cover (two screws) and remove old batteries. Be sure to avoid touching the brass battery contacts as much as possible. These are specially designed to be loose while you are changing batteries-**do not attempt to bend them.**

My problem is not listed-where do I get help?

- ❑ Read through all of the supplied manuals for answers to other commonly asked questions.
- ❑ Check Accurate Technology's web site for further information (www.proscale.com).
- ❑ Contact Accurate Technology at 828-654-7920. Have your retrofit kit information ready when calling (machine model, part number, date of purchase, and point of purchase).
- ❑ E-mail our service department at customerservice@accurate-technology.com.